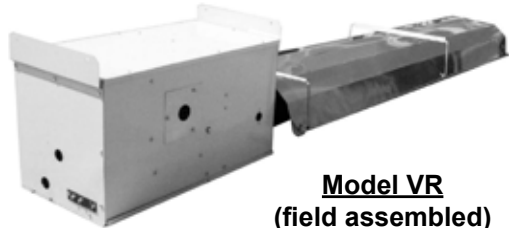


Replacement Parts

Applies to: **Infrared Heater**
Model VR and Models RIH/RIHV

Low-Intensity, Tubular, Infrared Heater



Model VR
(field assembled)

High-Intensity, Infrared Heater



Models RIH/RIHV

Table of Contents

Rating Plate and Serial No. (Model VR)	2
Replacement Parts—Tubular, Low-Intensity Model VR	3–7
Replacement Parts—High-Intensity Infrared Models RIH/RIHV	7–8

INDEX

<p>A</p> <p>Air Flow Switch 7 High Altitude Kit 3</p> <p>B</p> <p>Burner/Control Box 3 Vent Adapter Box 6 Reflector Bracket 4, 5 Burner Assembly 8</p> <p>C</p> <p>Capacitor 4 Venter Motor Capacitor 3 Chain 7 Chain Hanging Kit 7 Hanging Chain Kit 6 Outside Combustion Air Inlet 6 Combustion Chamber Tube 4 Conduit 7 Angle Connector 7 Stainless Flex Connector 7 Controls 7 Gas Conversion Kits 3 Input Conversion Bag 3 Coupling 4, 5</p> <p>D</p> <p>Date of Manufacture 2 Door 3</p> <p>E</p> <p>Electrode Assembly 3</p> <p>G</p> <p>Tube Gasket 4 Gas Valve 3, 7 Grommet 3</p>	<p>H</p> <p>Burner/Control Box Hanger 3 Hanger Bar 4, 5 Hardware Bag 5</p> <p>I</p> <p>Ignition Control 3 Ignition Detection Control 7 Ignition Electrode 4 Ignitor 7</p> <p>M</p> <p>Main Burner Assembly 3 Manifold 8 Venter Motor 3 Multiple Heater Control Packages 6</p> <p>N</p> <p>Spring steel receptacle nut 4</p> <p>O</p> <p>Orifice 8 Orifice Adapter 3</p> <p>P</p> <p>Burner Box Access Panel 3 Pressure Switch 3, 4</p> <p>R</p> <p>Rating Plate 2 5-ft Reflector 5 10-ft Reflector 4 Parabolic Reflector 8 Reflector Assembly 8 Reflector clips 4 Reflector End Cover 4 Reflectors 4 Relay 3, 4, 6 Restrictor Plate 3</p>	<p>S</p> <p>Combustion Air Inlet Screen 3 Screen 8 Sensing Tube 3 Serial No 2 Heat Shield 8 Side Shield 5 Size Conversion 2</p> <p>T</p> <p>Terminal Strip 3, 4 Thermostat 7 Thermostat Bracket 6 Thermostat Cover 7 Transformer 3, 4, 6 5-ft Tube 5 10-ft Heat Exchanger Tube 4 “L” Tube 5 “U” Tube 5 Tube Packages 4 Tubes 4 Turbulator Section 4 Turnbuckle 7</p> <p>U</p> <p>“U” Bolt 4</p> <p>V</p> <p>Dual Vent Kit 6 Vent Cap 6 Venter Housing 3 Venter Wheel 3</p> <p>W</p> <p>Wire Grid 8 Wire Harness 7 Wire Reflector Retainer 4</p>
--	---	---

References

See your local Distributor for the following manuals:

Form I-VR, Model VR Installation, Operation, Maintenance, and Service

Form T-VR-CNFG, Model VR Configuration Manual

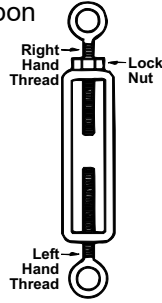
Form CP-VR-GC, Model VR Gas Conversion

Form I-RIH, Model RIH/RIHV Installation, Operation, Maintenance, and Service

CODE 52 - Turnbuckle and Turnbuckle Lock Nut

Each option package includes equal quantities of **PN 120704**, Eye-to-Eye Turnbuckle of forged carbon steel, and **PN 6554**, 5/16-18 Nut (Keps).

Straight Length	Straight		With one "L" or "U"	
	Opt	PN	Opt	PN
20 ft	CK12	121046	CK13	120701
30 ft	CK13	120701	CK14	121047
40 ft	CK14	121047	CK15	132517
50 ft	CK15	132517	CK16	205583
60 ft	CK16	205583	CK17	205584
70 ft	CK17	205584	CK18	205585



CODE 53 - Flexible Gas Connector, Option CE3 & CE4



1/2", **PN 120715**
3/4", **PN 120874**

CODE 54 - 4" Vent Cap (same as Option CC1), PN 120738



CODE 55 - 1-Stage Thermostat, (same as Option CL1), PN 255350

24 Volt; 50-90°F Range



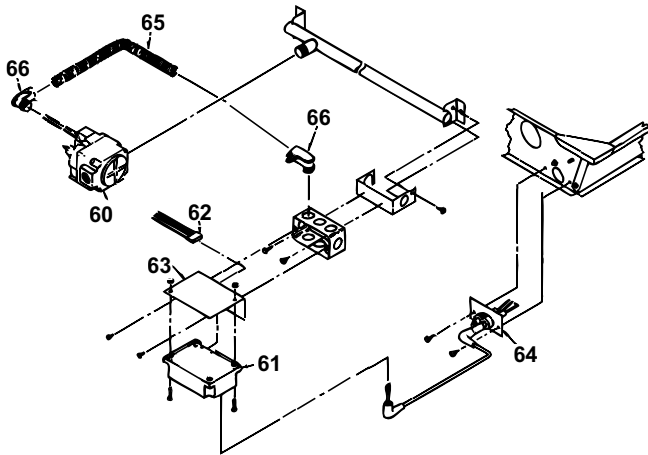
CODE 56 - Thermostat Cover, W/R 29-0143 (same as Option CM1), PN 91926

Clear Plastic Locking Cover



Replacement Parts—High-Intensity Infrared Models RIH/RIHV

Controls—All RIH/RIHV High-Intensity Infrared Models



Code	PN	Description
60	1012520	24v Two Stage Natural Gas Valve with LP conversion kit
	271823	120v Single Stage Natural Gas Valve with LP conversion kit
61	96010	Ignition Detection Control Replacement Kit, #0001-22-046
62	96011	Wire Harness, #132084, Package R10
63	112045	Ignition Detection Control Mounting Bracket, #000K-1-016
64	112046	Ignitor, #0002-42-110
65	Conduit, 3/8" Greenfield with Anti-Short Bushings	
	112047	for RIHN30, RIHN60, RIHL50, #3802-95-300-01
	112048	for RIHVN 100, RIHVL90, #3802-95-300-02
	112049	for RIHVN 150, RIHVL 120, #3802-95-300-03
	112050	for RIHVN 160, RIHVN 200, #3802-95-300-04
66	112051	Angle Connector for 3/8" Greenfield, #3802-95-302
67	96016	Air Flow Switch, #132081-2N, Pkg R15

Replacement Accessories

Description	Same as	PN
Chain, 50', 200 lb w/14 S-Hooks	Opt UE-1	95995
Chain Hanging Kit (see illustration)	Opt UE-2	110253
Stainless Flex Connector, 24", 7/8" OD w/1/2 gas cock w/pressure tap	Option UF-2	96000
Single-Stage Thermostat (below)	Opt CL34	110252



Thermostat (Option CL34), PN 110252
115/24 Volt; 50-90°F Range; nap Action Switch; Vertical Mounting; Mfr #132026-1

Chain Hanging Kit, PN 110253

Instructions:

- 1) Hang full length chain at desired height and attach heater (C) with S-hooks.
- 2) Attach one end of the 11-inch length chain with S-hooks to front of heater (D).
- 3) Place other end of chain with S-hook in hook (B) on the full length chain.
- 4) Change degree of angle by moving S-hook at point B.
- 5) Check to be sure unit is level. Crimp all S-hooks closed.

